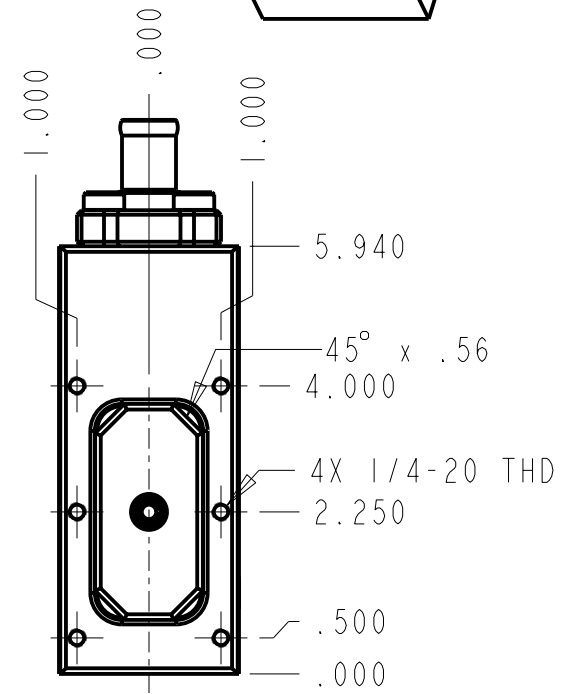
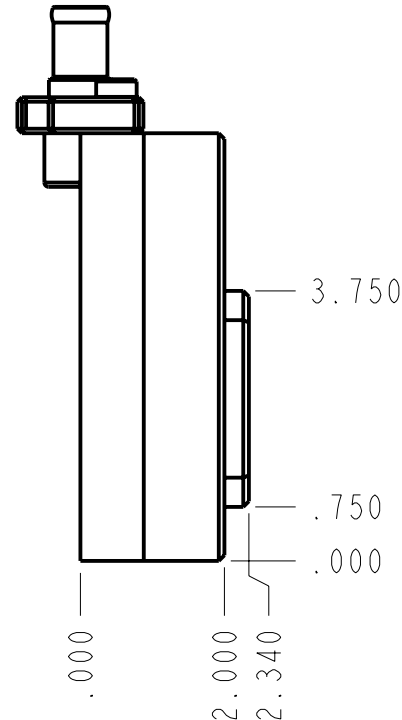
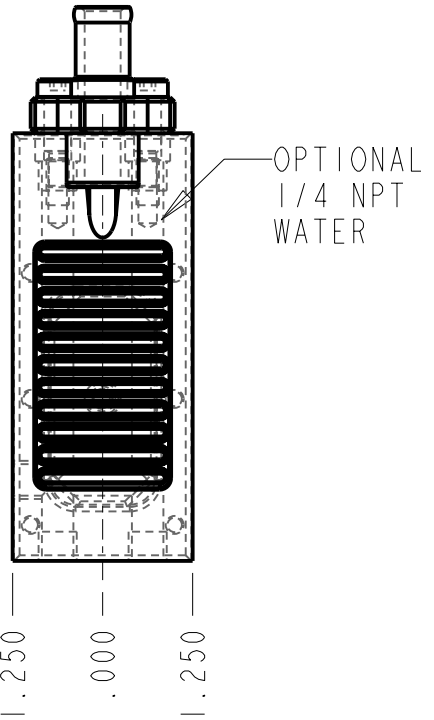
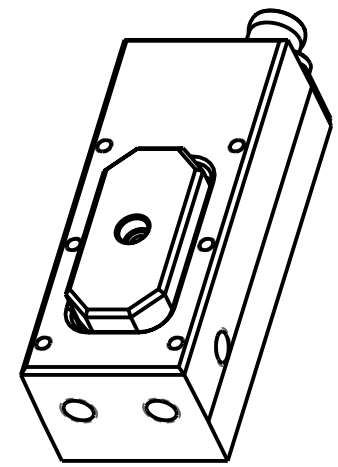
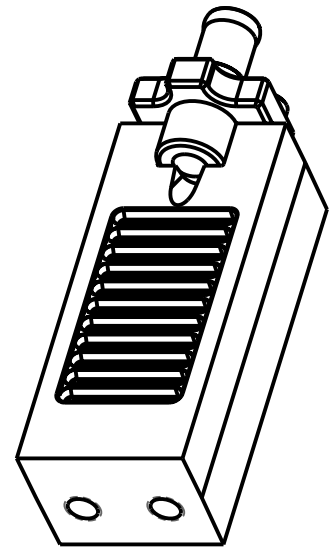
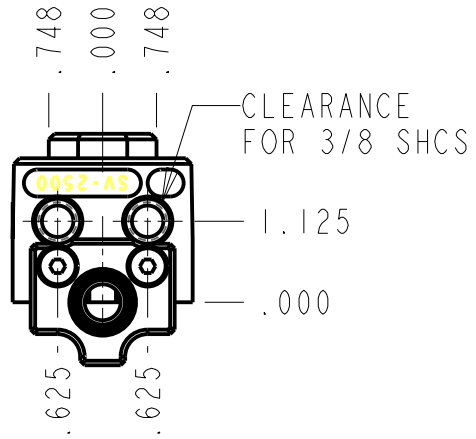


Midland Technologies, Inc. claims proprietary rights in the subject matter shown and described in this drawing and associated computer models. The drawing is furnished for reference purposes only and on express understanding that it will be held in strict confidence and neither it nor any reproduction thereof will be disclosed to others or used for purposes of manufacture or procurement from others of the articles or parts shown thereon without the express and written consent from Midland Technologies, Inc.

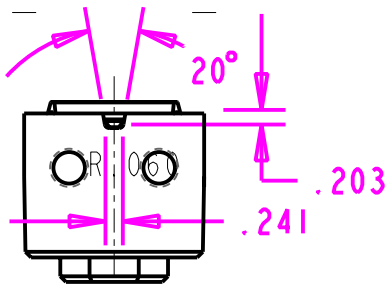
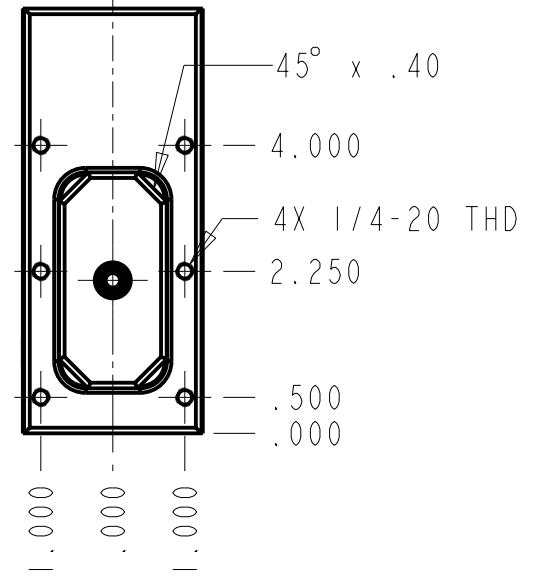
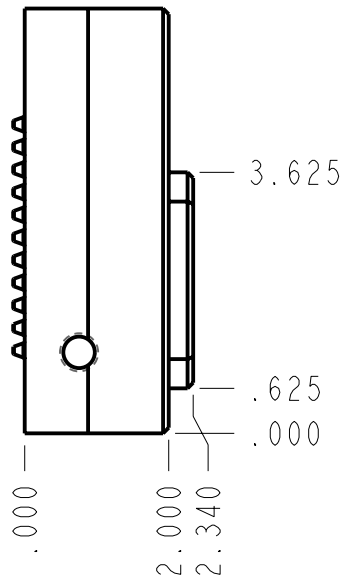
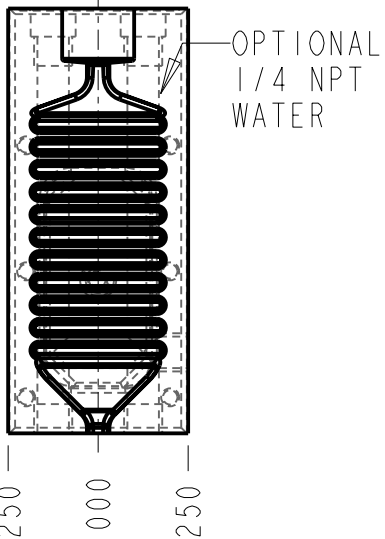
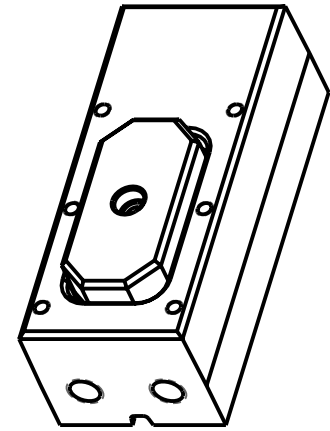
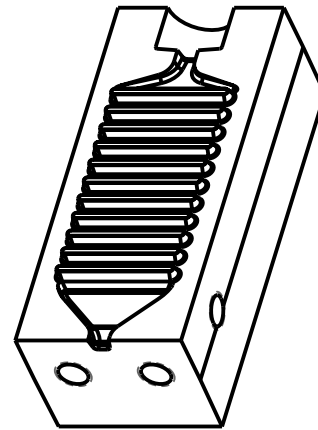
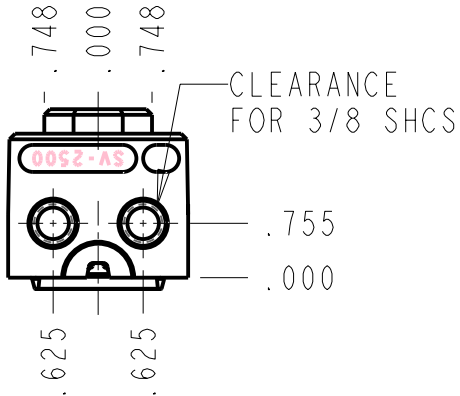
Patent Pending.



TOLERANCES EXCEPT NOTED		MIDLAND TECHNOLOGIES, INC.	
.X	±.030	TITLE SV-2500-E	
.XX	±.010	STATIONARY SIDE BLOCK	
.XXX	±.001	SCALE	DATE:
ANGLES	±1/2°	.375	05-07-02
INCH	THIRD ANGLE	PROJECTION	
A			

Midland Technologies, Inc. claims proprietary rights in the subject matter shown and described in this drawing and associated computer models. The drawing is furnished for reference purposes only and on express understanding that it will be held in strict confidence and neither it nor any reproduction thereof will be disclosed to others or used for purposes of manufacture or procurement from others of the articles or parts shown thereon without the express and written consent from Midland Technologies, Inc.

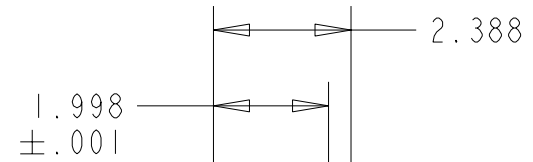
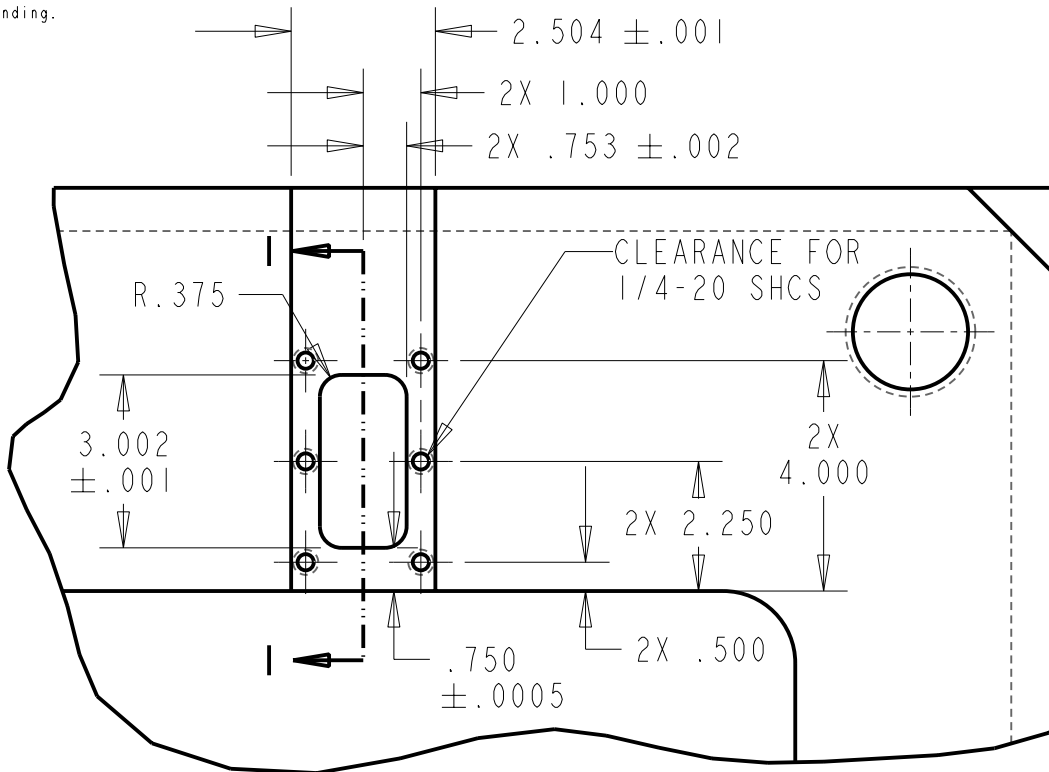
Patent Pending.



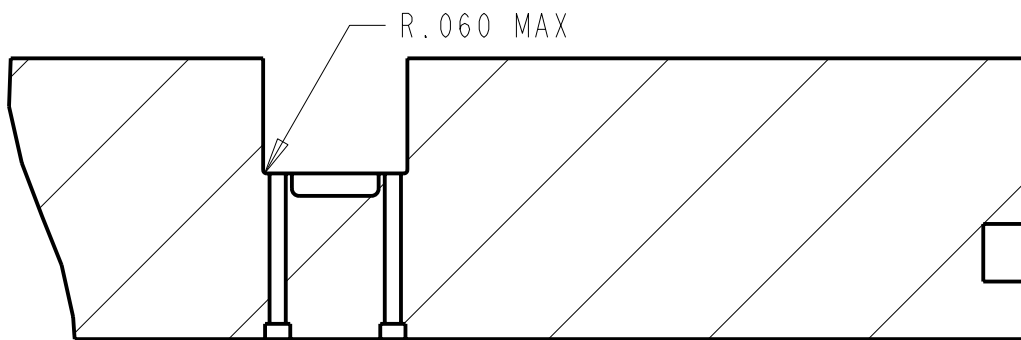
TOLERANCES EXCEPT NOTED		MIDLAND TECHNOLOGIES, INC.	
.X	±.030	TITLE SV-2500-E	
.XX	±.010	EJECTOR SIDE BLOCK	
.XXX	±.001	INCH	SCALE
ANGLES	±1/2°	A	375
THIRD ANGLE PROJECTION		DATE:	05-07-02

Midland Technologies, Inc. claims proprietary rights in the subject matter shown and described in this drawing and associated computer models. The drawing is furnished for reference purposes only and on express understanding that it will be held in strict confidence and neither it nor any reproduction thereof will be disclosed to others or used for purposes of manufacture or procurement from others of the articles or parts shown thereon without the express and written consent from Midland Technologies, Inc.

Patent Pending.



SECTION 1-1

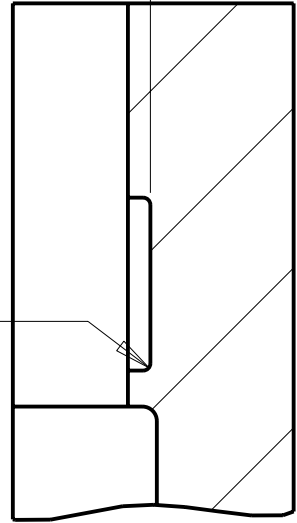
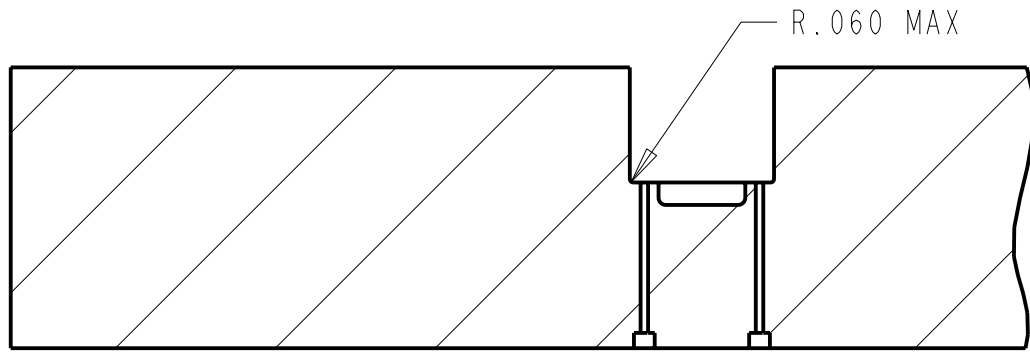
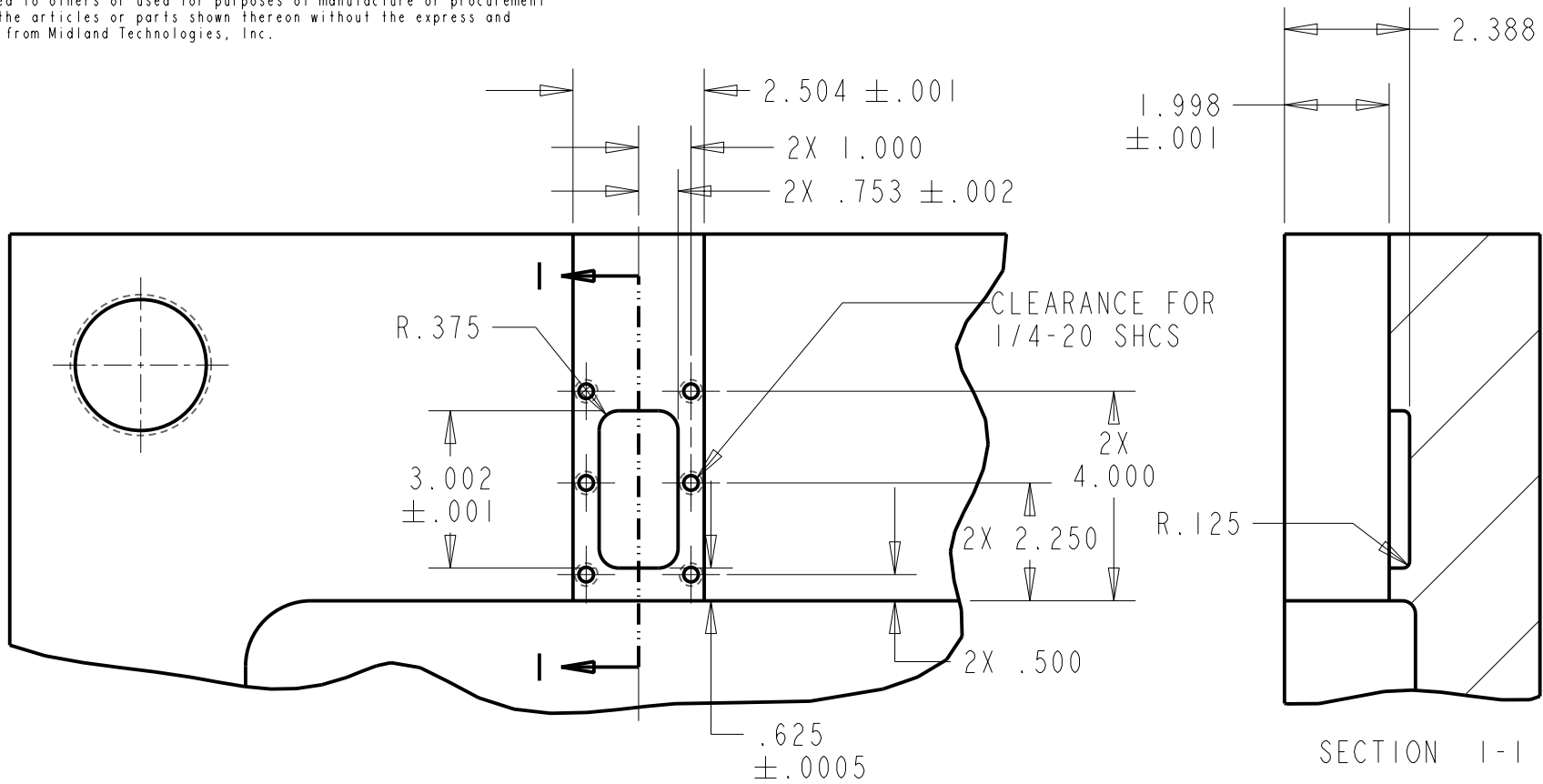


SECTION 2-2

TOLERANCES EXCEPT NOTED		MIDLAND TECHNOLOGIES, INC.	
.X	$\pm .030$	TITLE 2500 SERIES	
.XX	$\pm .010$	STATIONARY PLATE DETAIL	
.XXX	$\pm .001$	SCALE	DATE:
ANGLES	$\pm 1/2^\circ$	.30	05-07-02
INCH	THIRD ANGLE		
A	PROJECTION		

Midland Technologies, Inc. claims proprietary rights in the subject matter shown and described in this drawing and associated computer models. The drawing is furnished for reference purposes only and on express understanding that it will be held in strict confidence and neither it nor any reproduction thereof will be disclosed to others or used for purposes of manufacture or procurement from others of the articles or parts shown thereon without the express and written consent from Midland Technologies, Inc.

Patent Pending.



SECTION 2-2

SECTION 1-1

TOLERANCES EXCEPT NOTED		MIDLAND TECHNOLOGIES, INC.	
.X	±.030	TITLE 2500 SERIES	
.XX	±.010	EJECTOR SIDE PLATE DETAIL	
.XXX	±.001	SCALE	DATE:
ANGLES	±1/2°	.375	05-07-02
INCH	THIRD ANGLE	PROJECTION	
A			