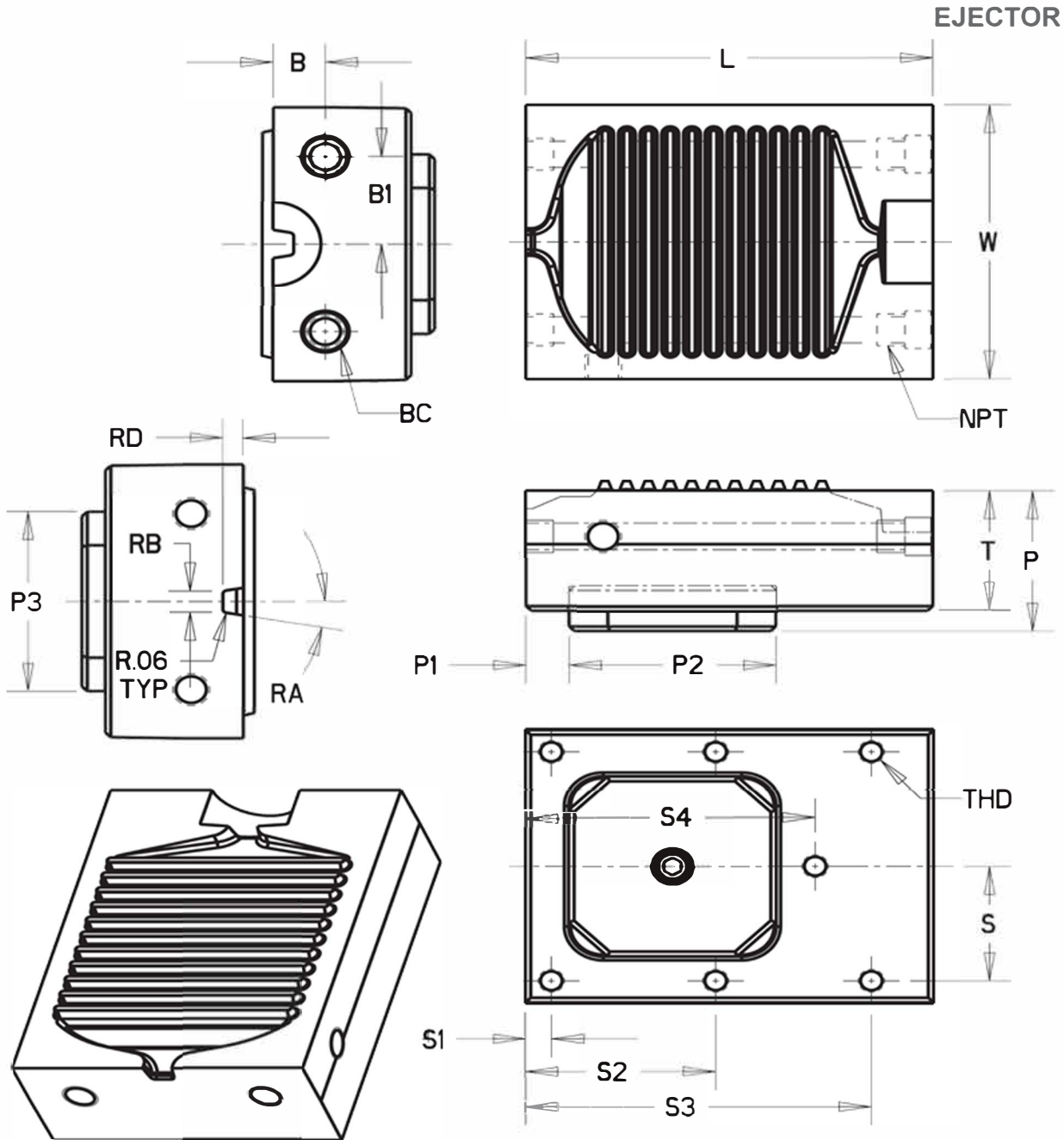


# Valve-Less Vacuum Block Dimensions



Model No.	W	L	T	P	P1	P2	P3	S	S1	S2	S3	S4	THD	NPT	RD	RB	RA	B	B1	BC
	±.001	±.001	.001 *.000	±.005	±.0005	±.001	±.005	±.02	±.02	±.02	±.02	±.02		Optional Water	±.005	±.005	±1°	±.02	±.02	SHCS Bolt Clearance
SV-Mini	2.250	3.500	1.000	1.250	0.500	1.500	1.246	0.875	0.313	—	—	2.375	1/4-20	1/8	0.203	0.241	10°	0.438	0.750	—
SV-2500	2.500	5.900	2.000	2.340	0.625	3.000	1.496	1.000	0.500	2.250	4.000	—	1/4-20	1/4	0.203	0.241	10°	0.755	0.625	3/8
SV-4000	3.938	5.900	2.000	2.340	0.625	3.000	2.996	1.250	0.375	4.250	—	—	3/8-16	1/4	0.277	0.328	10°	0.755	1.460	3/8
SV-4500	4.566	5.900	2.000	2.340	0.625	3.000	2.996	1.905	0.375	3.375	—	—	3/8-16	1/4	0.298	0.352	10°	0.755	1.460	3/8
SV-5500	5.512	5.900	2.000	2.340	0.625	3.000	2.996	2.375	0.375	3.375	—	—	3/8-16	3/8	0.375	0.375	10°	0.835	1.890	1/2
SV-6500	6.500	5.900	2.000	2.340	0.625	3.000	2.996	2.375	0.375	3.375	—	—	3/8-16	3/8	0.369	0.436	10°	0.835	1.890	1/2
SV-8000	8.000	6.400	2.000	2.340	1.000	3.000	2.996	3.000	0.625	3.625	—	—	1/2-13	3/8	0.472	0.454	10°	0.835	1.890	1/2

Patent # 7,134,637